

Bjerring SL-3

Auditoriestol



BJERRING

1 A flame-retardant fabric and polyurethane foam of high quality ensure seating comfort for many hours.

2 The rear of the backrest is made of high quality ergonomically profiled multi-layer plywood.

3 An upholstered seat cushion is filled with foam molded in injection molding technology which ensures high resistance to deformation of the foam.

4 The cover of the seat made of high quality multi-layer plywood lacquered or upholstered.

5 The writing tablet is made from multi-layer lacquered plywood or coated with high pressure laminate (HPL) or from furniture board.

6 A folding gravity mechanism enables automatic folding through the use of properly selected counterweight placed inside the upholstered seat. The mechanism is fail-safe, quiet and maintenance-free.

7 The steel frame is made from closed profiles having dimensions of 30 x 50 x 2 mm bent at an angle of 12° as well as those of 30 x 18 x 2 mm, powder coated in a desired RAL color.

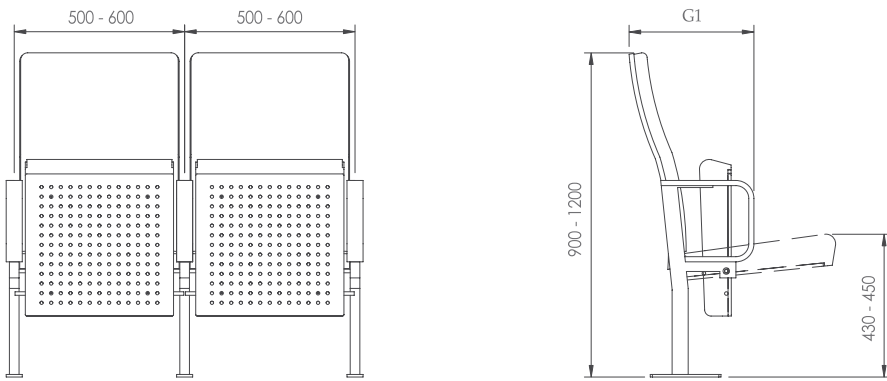
8 The armrest made from a single piece of plywood, bent in two places in the shape of the letter "C".

9 The foot supporting the seat is made from sheet metal having a thickness of 8 mm and ending at the front and back with 50 mm radii fixed to the base surface with two counter-sink screws pan head screws.

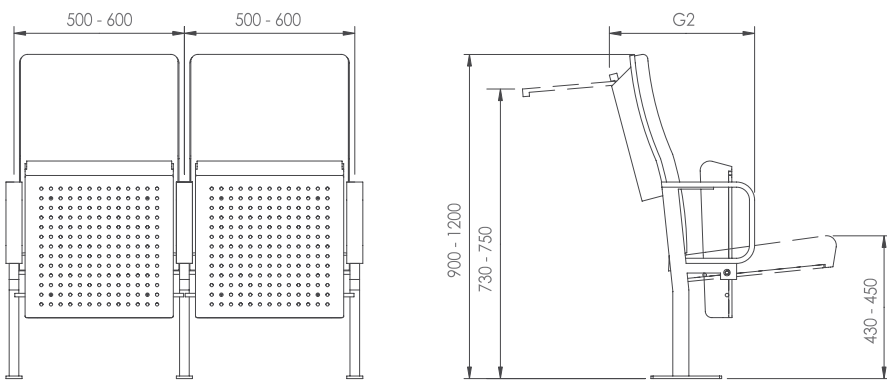


Mechanism type	G1 (mm)	G2 (mm)	G3 (mm)
Basic	390 - 420	440 - 470	240 - 270
LTS	390 - 420	470 - 500	270 - 300
Cassette	390 - 420	450 - 480	250 - 280

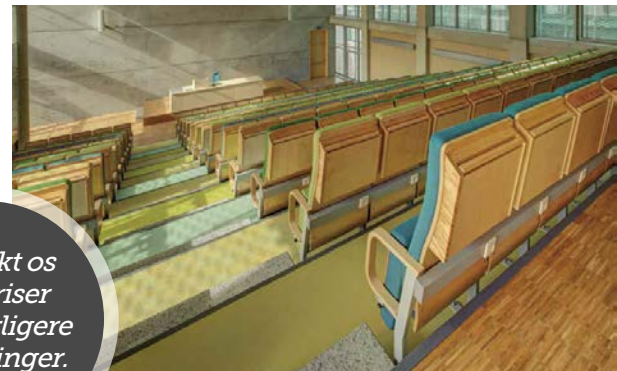
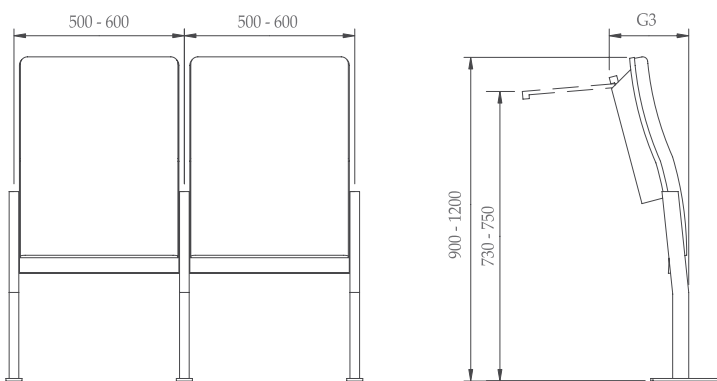
S - seat



SP - seat and writing tablet



FP - front panel



*Kontakt os
for priser
og yderligere
oplysninger.*

