

Bjerring SL-T

Auditoriestol



BJERRING



1 Made of high quality polyurethane foam coated with a flame-retardant fabric, the upholstery assures seating comfort for many hours.

2 Wooden components constituting the cover of the back and the seat are made of the highest quality ergonomically curved multilayered plywood.

3 The writing tablet is made from multi-layer lacquered plywood or coated with high pressure laminate (HPL) or from furniture board.

4 A maintenance-free seat folding mechanism enables quiet closing on account of the application of properly selected counterweight.

5 The steel frame having dimensions of 30 x 50 x 1.8 mm is made of profiled and closed flat and oval profile, powder-coated in a RAL color of your choice.

6 The foot supporting the seat is made from sheet metal having a thickness of 8 mm and ending at the front and back with 50 mm radii fixed to the base surface with two countersink screws pan head screws.



Cassette
stable made of solid wood combined with high-grade plywood, mounted on the back.



Basic
reliable, quiet and maintenance-free mounted on the back.



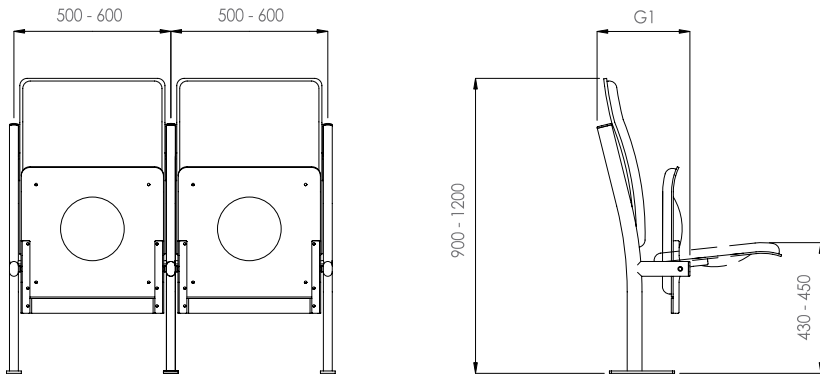
LTS
a modern shape of the mechanism with the option of fitting the cover colored in any RAL color, mounted on the back.



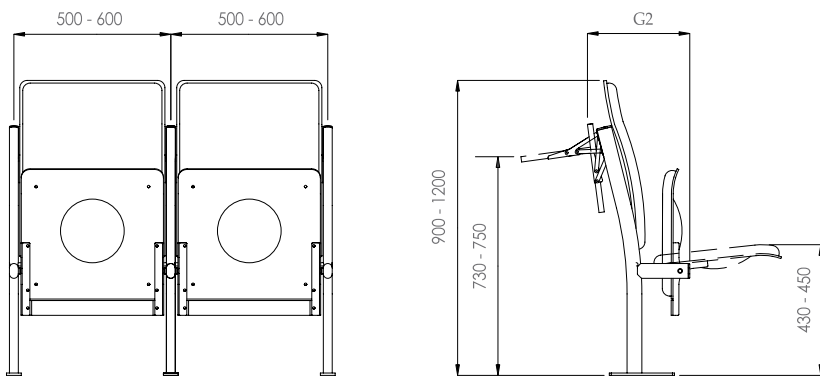
- A Armrest type C
- B Armrest type L
- C Basket

Mechanism type	G1 (mm)	G2 (mm)	G3 (mm)
Basic	320 - 350	340 - 370	230 - 260
LTS	320 - 350	370 - 400	260 - 290
Cassette	320 - 350	350 - 380	240 - 270

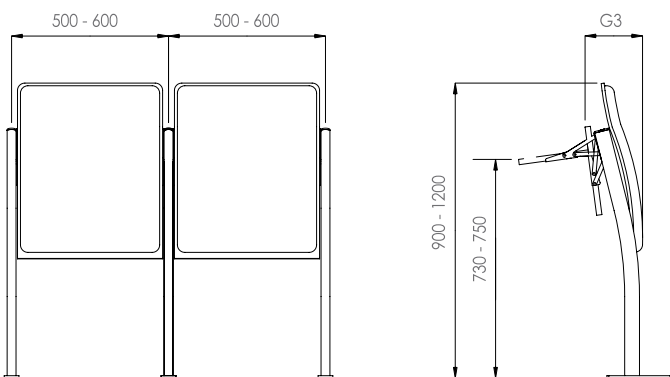
S - seat



SP - seat and writing tablet



FP - front panel



*Kontakt os
for priser
og yderligere
oplysninger.*

