

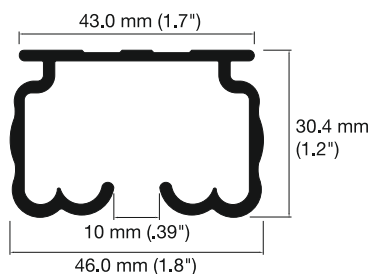
THEATRAC



The ideal rail for the heaviest blackout curtains used in gymnasiums and auditoriums.

Manual, cord draw and motor operation are possible.

Wheel-type rollers with bearings enable smooth, easy opening and closing.



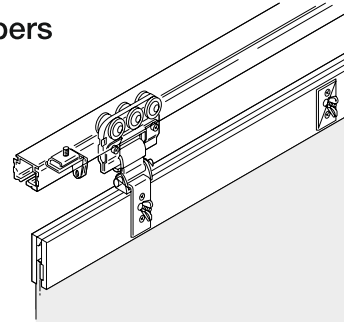
Theatrac

Theatrac's Unique Features and Applications

Using Carpet Hanger Rollers and Carpet Clippers enables a display of carpets (movable).

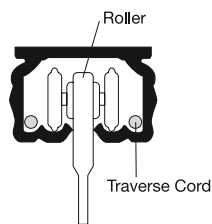
Using large Carpet Hanger Rollers and Carpet Clippers together enables beautiful carpet display without damaging the carpets.

Allowable load 15 kg (33 lb)



Rollers and cord pass through separate grooves.

Separate grooves for rollers and cord/wire permit a smooth and trouble-free operation.



Motor operation is possible.

This is convenient when using wide curtains or curtains in a high location, and when opening and closing heavy curtains.

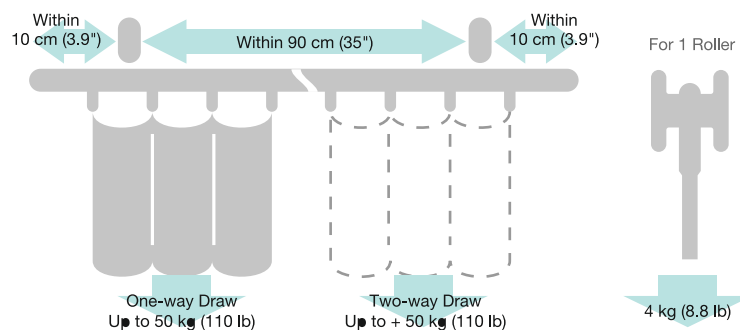


Materials and Finishes

Parts	Material	Finish
Rail	Aluminum	Aluminum alloy extrusion material
Roller	Plate	Nylon
	Wheel	Nylon

Parts	Material	Finish
End Stop	Plate	Steel
Bracket	Body	Aluminum
	Snap board	Steel

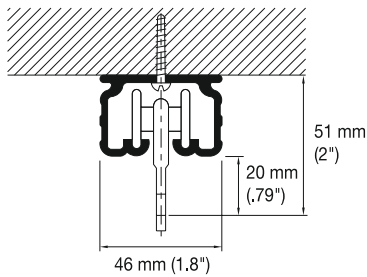
Bracket Installation Interval and Allowable Curtain Load



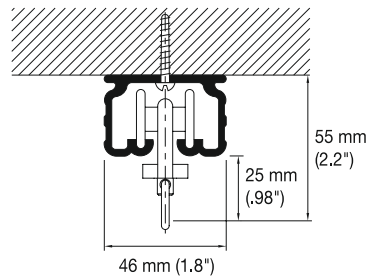
Installation Dimensions

Ceiling Attachment

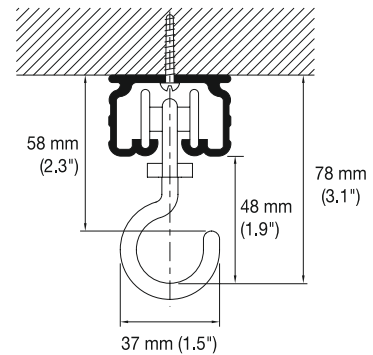
Direct attachment
(Roller used)



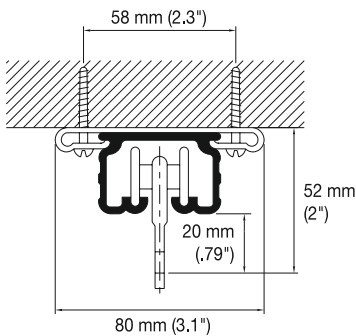
Direct attachment
(Swing Roller with Ring used)



Direct attachment
(Swing Roller with Hook used)

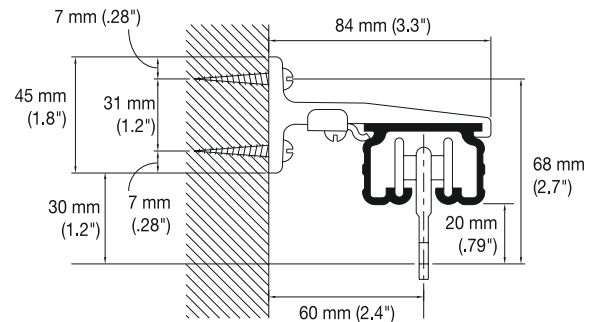


Ceiling Single Bracket
Bracket width = 38 mm (1.5")
(Roller used)

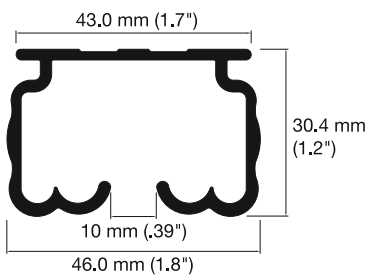


Wall Attachment

Single Bracket
Bracket width = 34 mm (1.3")
(Roller used)



Theatrac Rails



White Rails

Size	Product Code
3.00 m (118")	00250032
4.00 m (157")	00250033

Natural Rails

Size	Product Code
3.00 m (118")	00250018
4.00 m (157")	00250017
Curved Rail (500 mmR/20"R) 1.00 m x 1.00 m (3.9" x 3.9") (Ordered separately) *1	00250031

*1 Curved 1.00 m x 1.00 m (39" x 39") rails (ordered separately) are 500 mmR (20"R).

Note: Possible radius sizes Natural: 1,000 mmR (39"R) or more

Theatrac Parts

Product Name		Product Code	Product Name		Product Code	Product Name		Product Code			
Rollers	Roller	00250012	Master Roller Two rollers are necessary for Two-way draw.		00250001	Cover Splice	White	00250040			
	Allowable load 4 kg (8.8 lb)						Natural	00250029			
	Swing Roller with Ring	00250028					OT Splice	White	00250041		
								Natural	00250007		
Swing Roller with Hook	00250030	Overlap Pulley Set	White	00250043	Carpet Clipper (2.65 m/104")	00250014					
Allowable load 10 kg (22 lb)		Natural	00250008								
Brackets	Single Bracket	White 00250034	Pilot Roller Two rollers are necessary for Two-way draw.		00250010	Carpet Hanger Roller Two rollers are necessary for one clipper. For curved rail over 1500 mmR (59\"/>		00250015			
		Natural							00250005		
	Ceiling Single Bracket	White 00250035	Tension Pulley 450 (Silver)		00500007						
									Natural	00250002	
	Overhead Hanger	White 00250036	Tension Pulley 650 (Silver)		00500008						
									Natural	00250011	
End Stops	End Stop	White	Traverse Cord 4.5 mm DIA. White	00580011	Adjustable Hanger Rod A	A170 (130170 mm / 5.1\"/>	Silver	00290034			
		Natural				00250006	White	00290038			
	Hanger End Stop	White 00250039				Support Pulley A		00500009	A250 (170250 mm / 6.7\"/>	Silver	00290036
									Natural	00250016	White
Cord Draw Parts	Pulley Set	White	Support Pulley B		00500010	A400 (245400 mm / 9.6\"/>	Silver	00290017			
		Natural				00250009	White	00290040			
	Support Pulley C					00500011	A700 (395700 mm / 16\"/>	Silver	00290016		
							Support Pulley B		00500010	White	00290041
			Support Pulley C		00500011	A1100 (5951,100 mm / 23\"/>	Silver	00290015			
						White	00290042				
						A1600 (8451,600 mm / 33\"/>	Silver	00290014			
						White	00290043				

BJERRING

Tykhøjvej 20 - Hal 5
7323 Give

Tlf: +45 42705206

Mail: salg@bjerring-sales.dk
www.bjerring-sales.dk