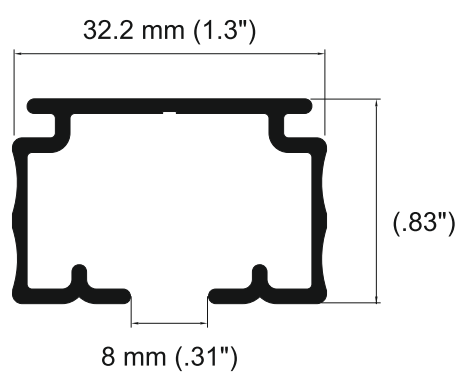


## SUPERTRAC



- Rollers assure smooth operation even with heavy curtains.
- Manual, cord draw and motor operation are possible.
- Can also be used for skylights, curved rails, IV bottles and picture rails.





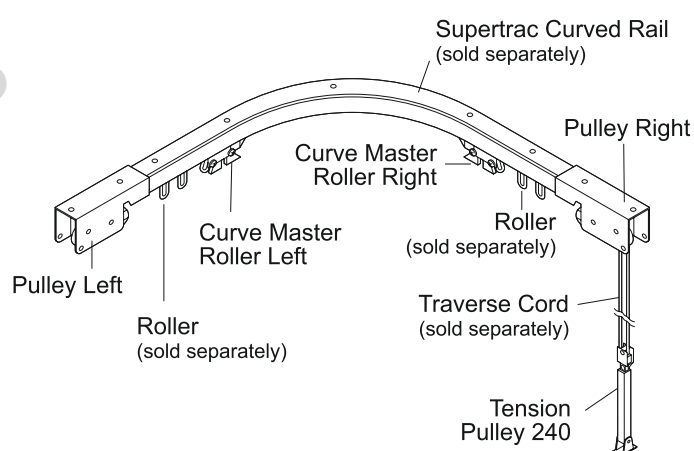
### A wide range of cord-draw parts for Curved, Skylight and Overlap Rails are available.

As well as a regular cord draw, cord draws with special specifications can also be installed without any difficulty. Convenient cord-draw parts kits are also available.

- Cord Draw Parts Kit for Curved Rail
- Cord Draw Parts Kit for Skylight
  - \*Supertrac Rail, Roller and Traverse Cord (3.5 mm/ 138") are not included.
- Cord Draw Parts Kit for Overlap Rail
  - \*Supertrac Rail, Roller, Traverse Cord (3.5 mm/ 138"), Tension Pulley and installation screws are not included.

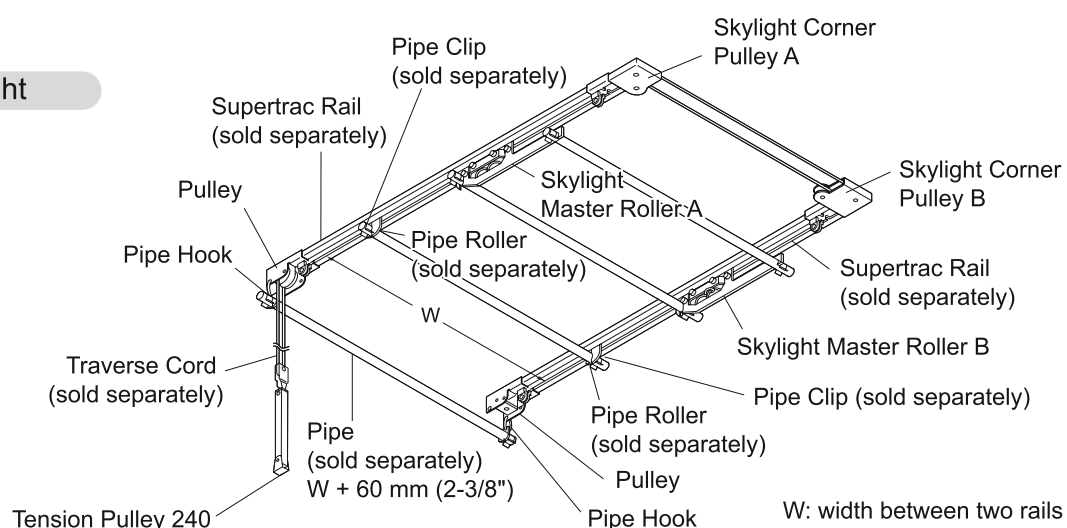
#### For Curved Rail

##### Cord Draw Parts Kit for Curved Rail



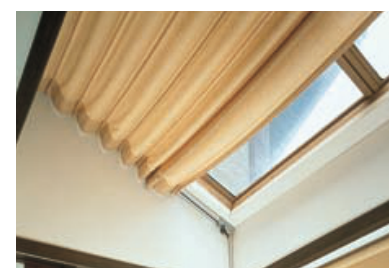
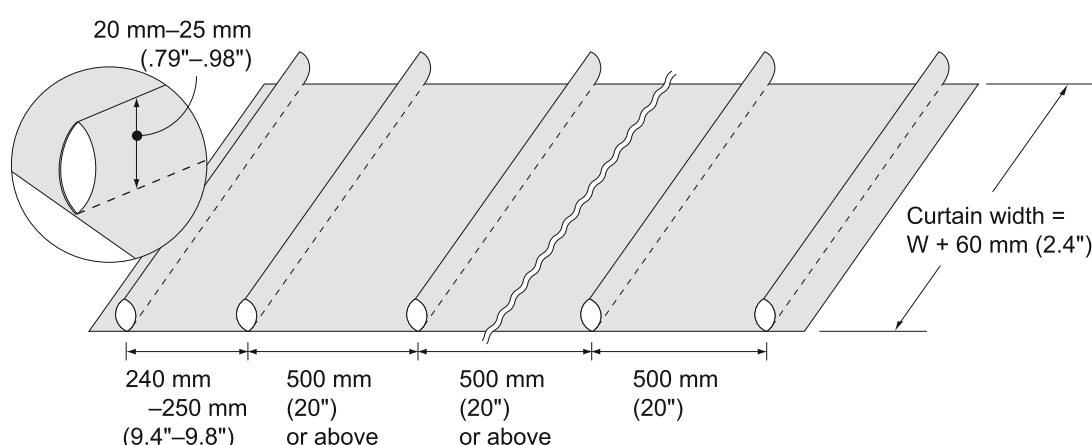
#### For Skylight

##### Cord Draw Parts Kit for Skylight



##### Sewing Method for Skylight Curtains

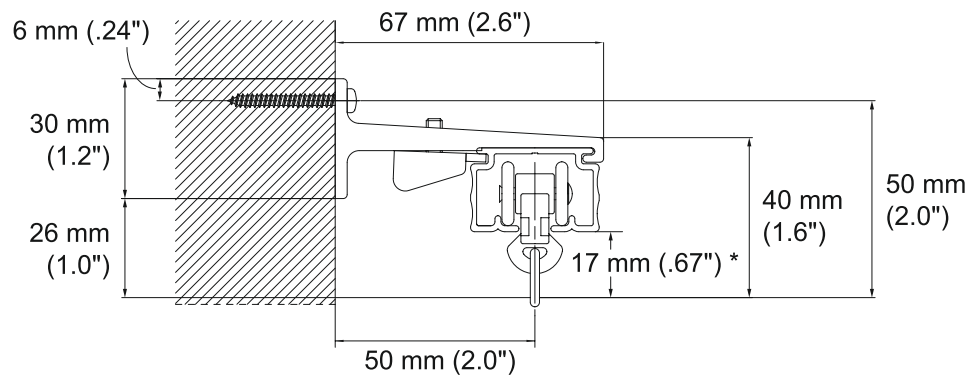
1. French seams to insert pipes should be 20–25 mm (.79"–.98").
2. Intervals between rollers should be of equal width and over 500 mm (20") except for Skylight Master Rollers (240–250 mm/9.4"–9.8").
3. Curtain width is the same size (Width + 60 mm/2.4") as the pipe.



Skylight curtain with Supertrac and Cording Parts Kit for Skylight

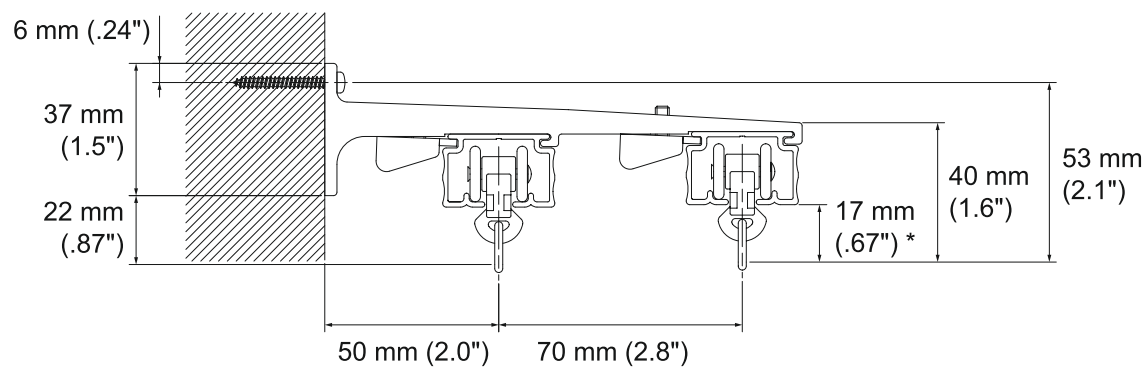
### Wall Attachment

**Single Bracket A**  
Bracket width = 20 mm (.79")  
(Roller used)



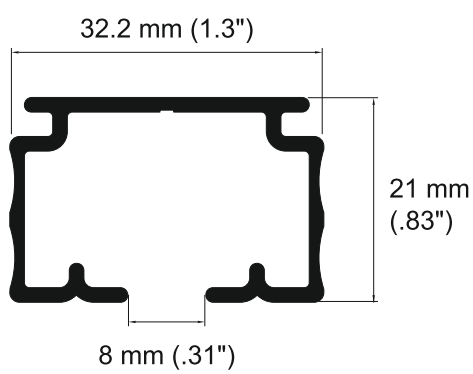
\*23 mm (.91") if an OM roller is used.

**Double Bracket**  
Bracket width = 24 mm (.94")  
(Roller used)



\*23 mm (.91") if an OM roller is used.

### Supertrac Rails



#### White Rails

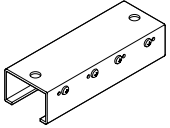
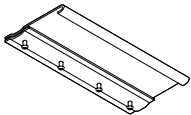
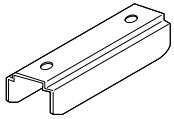
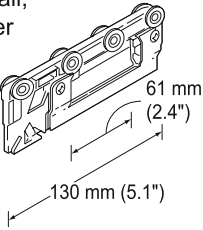
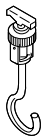

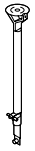
Size	Product Code
3.00 m (118")	00240093
4.00 m (157")	00240094
Curved Rail (500 mmR/20"R) 1.00 m x 1.00 m (39" x 39") (Ordered separately) <sup>*1</sup>	00240095

#### Natural Rails

Size	Product Code
3.00 m (118")	00240023
4.00 m (157")	00240026
Curved Rail (500 mmR/20"R) 1.00 m x 1.00 m (39" x 39") (Ordered separately) <sup>*1</sup>	00240058

<sup>\*1</sup> Curved 1.00 m x 1.00 m (39" x 39") rails (ordered separately) are 500 mmR (20"R).

Note: Possible radius sizes—450 mmR (18"R), 800 mmR (31") or more

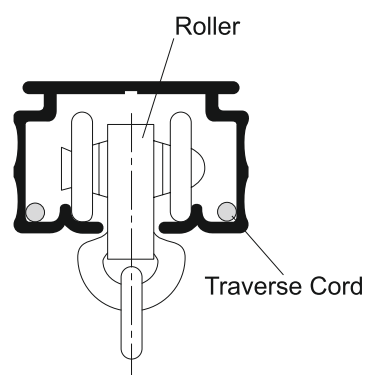
Product Name		Product Code	
Cover Splice  (*1)	White	00240067	
	Natural	00240054	
OT Splice 	White	00240066	
	Natural	00240003	
Splice (for Alumi rail) 		00240004	
Hanger Roller A For a curve rail, use it together with a rail of 1050 mmR (41"R) or longer. 		00240021	
Hanger Slide F 		00480001	
IV Roller For a curve rail, use it together with a rail of 300 mmR (12"R) or longer. 		00240001	
Adjustable Hanger Rod A 	A170 (130–170 mm /5.1"–6.7")	Silver	00290034
		White	00290038
	A250 (170–250 mm /6.7"–9.8")	Silver	00290036
		White	00290039
	A400 (245–400 mm /9.6"–16")	Silver	00290017
		White	00290040
	A700 (395–700 mm /16"–28")	Silver	00290016
		White	00290041
A1100 (595–1,100 mm /23"–43")	Silver	00290015	
	White	00290042	
A1600 (845–1,600 mm /33"–63")	Silver	00290014	
	White	00290043	

\*1 A Cover Splice can not be used with a Long Master Roller or Master Roller M (wire) Right/Left.

## Supertrac

### Supertrac's Unique Features and Applications

**Smooth opening and closing with grooves for rollers and Traverse Cords.**

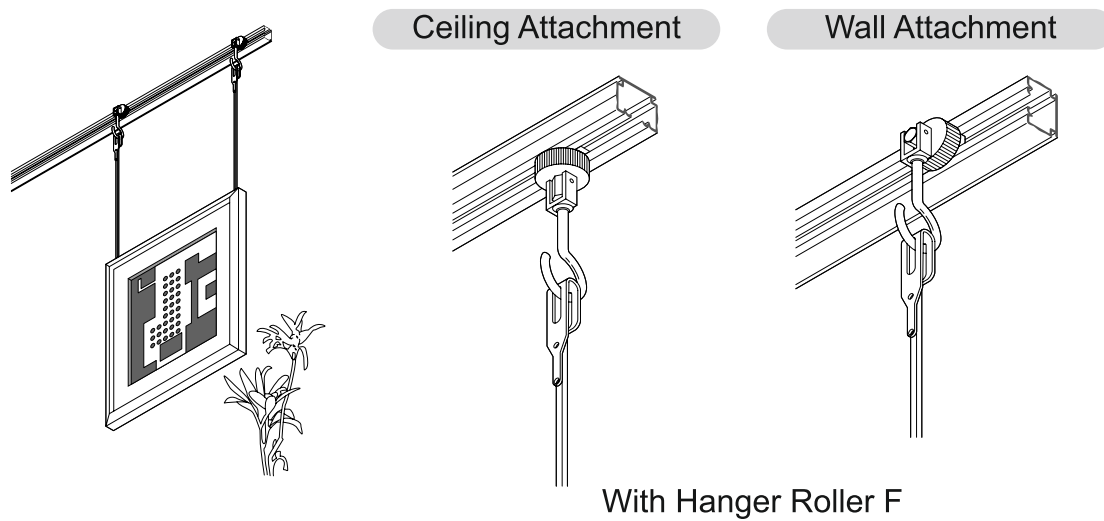


**Motor operation using a curtain motor is another choice.**

Extremely convenient for use with wide curtains or curtains located in high positions, and for opening and closing heavy curtains.

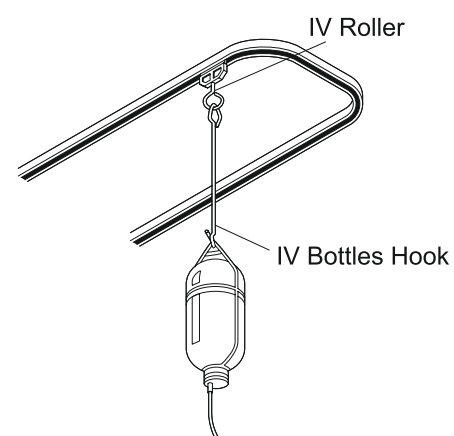


**Useful as picture rail.**



**A wide range of IV rail parts are available.**

The Roller is designed to automatically lock with the weight of an IV bottle and to effectively reduce noise.



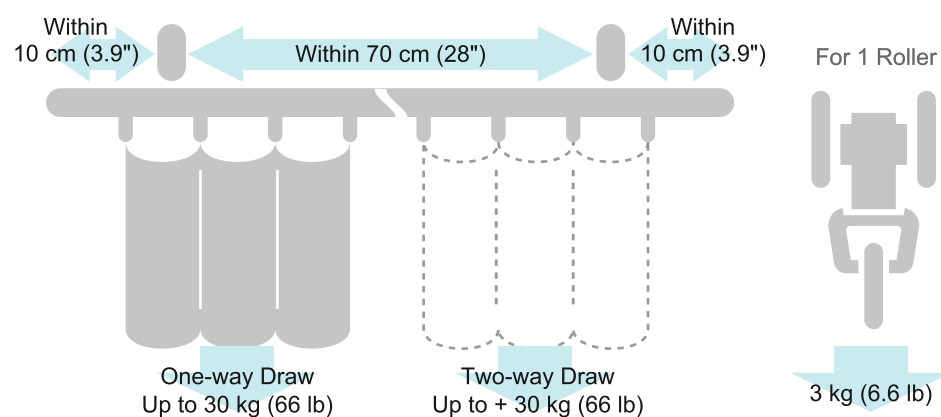
## Supertrac

### Materials and Finishes

Parts	Material	Finish
Rail	Aluminum	Aluminum alloy extrusion material
Roller	Plate	Polyester
	Wheel	Polyester elastomer
	Oval ring	Stainless steel

Parts	Material	Finish
End Cap	Plate	Steel
	Spring plate	Bainitic steel
Bracket	Body	Aluminum
	Snap board	Steel

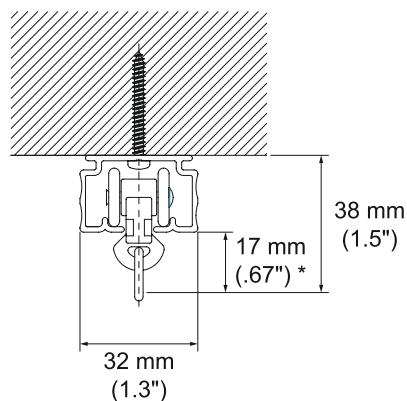
### Bracket Installation Interval and Allowable Curtain Load



### Installation Dimensions

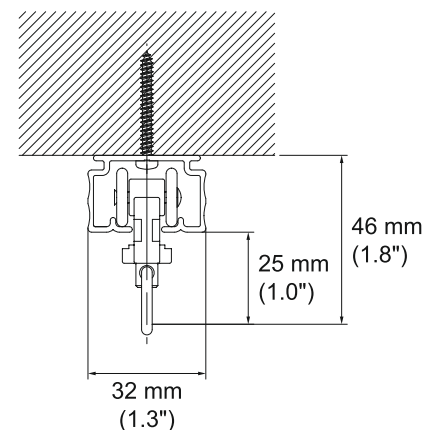
#### Ceiling Attachment

Direct attachment  
(Roller used)

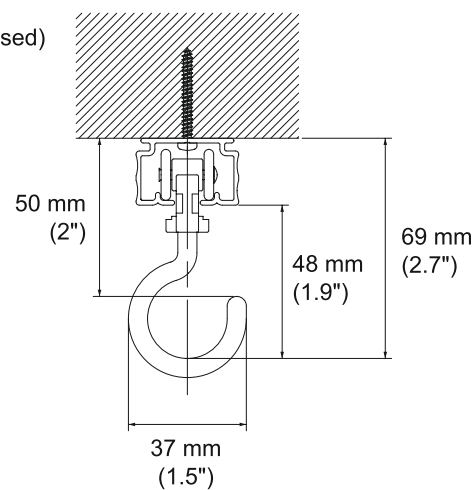


\*23 mm (.91") if an OM roller is used.

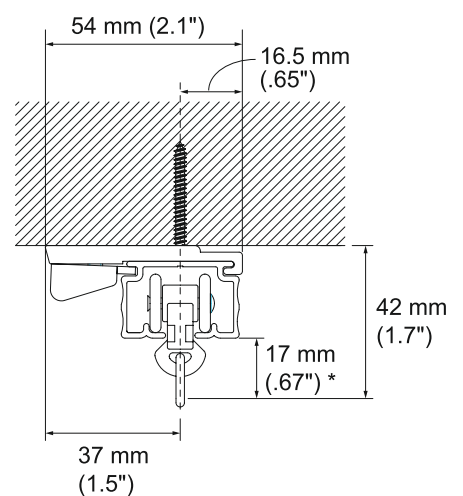
Direct attachment  
(Swing Roller with Ring used)



Direct attachment  
(Swing Roller with Hook used)



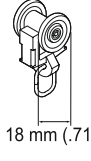
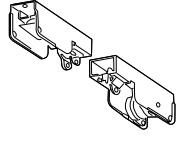




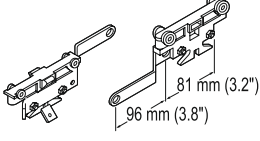
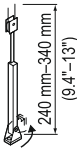

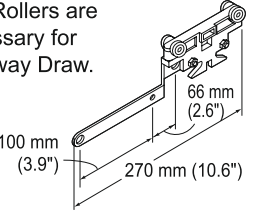
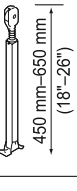
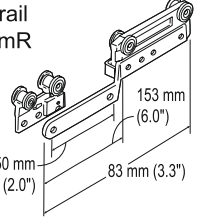
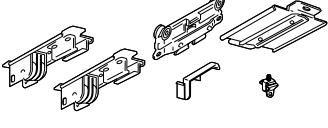

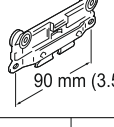
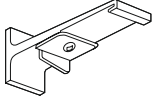
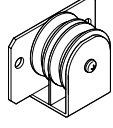
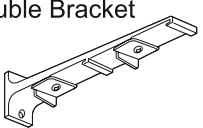
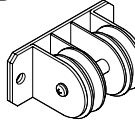
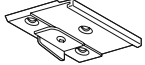
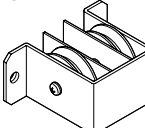

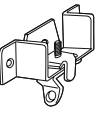
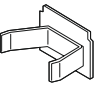

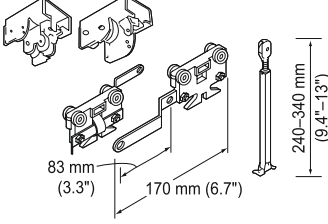
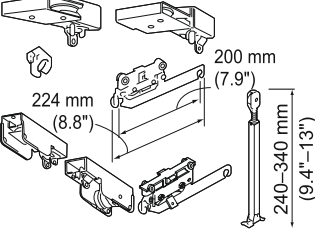
Ceiling Single Bracket  
Bracket width = 46 mm (1.8")  
(Roller used)



\*23 mm (.91") if an OM roller is used.

## Supertrac

### Supertrac Parts

Product Name		Product Code	Product Name		Product Code	Product Name		Product Code
Rollers	Roller  Allowable load 3 kg/6.6 lb 18 mm (.71")	00240011	Pulley Set 	White	00240075	Skylight Pipe Roller 	00240037	
	OM Roller  Allowable load 3 kg/6.6 lb 18 mm (.71")	00240010		Natural	00240005		Skylight Pipe Clip 	00240046
	Swing Roller with Ring  Allowable load 3 kg/6.6 lb	00240059	Master Roller for Cord (Right & Left)  81 mm (3.2") 96 mm (3.8")	00240042		Tension Pulley 240 (White)  240 mm-340 mm (9.4"-13")	00500005	
	Swing Roller with Hook  Allowable load 3 kg/6.6 lb	00240056		Long Master Roller Two Rollers are necessary for Two-way Draw.  100 mm (3.9") 270 mm (10.6") 66 mm (2.6")	00240045		Tension Pulley 450 (Silver)  450 mm-650 mm (18"-26")	00500007
	Overlap Master Roller For curved rail over 500 mmR (20"R).  153 mm (6.0") 50 mm (2.0") 83 mm (3.3")	00240006	Overlap Installation Kit 		00240034		Tension Pulley 650 (Silver)  650 mm-980 mm (26"-39")	00500008
	Pilot Roller (wire)  90 mm (3.5")	00240060		Cord Draw Parts Overlap Pulley (1 pair), Pilot Roller (2 pcs), End Stop (4 pcs), Overlap Bracket (1 pc), Cord Clip (10 pcs)	00240034		Traverse Cord 3.5 mm DIA. (White)	00580010
	Brackets	Single Bracket A 	White		00240068		Support Pulley A 	00500009
Natural			00240018					
Double Bracket 		White	00240069		Support Pulley B 	00500010		
		Natural	00240014					
Ceiling Single Bracket A 		White	00240070		Support Pulley C 	00500011		
		Natural	00240016					
Overhead Hanger 		White	00240071					
		Natural	00240007					
Wall Bracket 		White	00240072					
		Natural	00240013					
End Caps	End Cap 	White	00240073					
		Natural	00240019					
	End Stop 	Natural	00240020					
			Cord Draw Parts Kit for Curved Rail  83 mm (3.3") 170 mm (6.7") 240-340 mm (9.4"-13")		00240043			
			Cord Draw Parts Kit for Skylight  200 mm (7.9") 224 mm (8.8") 240-340 mm (9.4"-13")		00240044			
			Curved Pulley (1 pair), Curved Master Roller (1 pair), Tension Pulley 240 (1 pc)					
			Skylight A & B Pulley (1 pair), Skylight Master Roller A & B (1 pair), Tension Pulley 240 (1 pc), Pipe Hook (2 pcs)					

# **BJERRING**



Tykhøjetevej 20 - Hal 5  
7323 Give

Tlf: +45 42705206

Mail: [salg@bjerring-sales.dk](mailto:salg@bjerring-sales.dk)  
[www.bjerring-sales.dk](http://www.bjerring-sales.dk)