

BJERRING

Stadionstole & Sæder



BJERRING

ABACUS

Designed by: Rebecca Stewart



SPORTS
CENTRES



PROJECT:
REBECCA STEWART

Rebecca graduated from the Faculty of Mechanical Engineering at the University of Bristol and completed a postgraduate program in Design Engineering at the Royal College of Art and Imperial College London. She gained her professional experience working for the Ford Motor Company, where she dealt with component supply chain management, body and trim design and testing and manufacturing line efficiency. Rebecca also worked for Aston Martin, where she was responsible for the user interface with all aspects of the body and trim. She is a designer who always makes sure the market need and technology feasibility work hand in hand with the supply chain. Now she works at Arup. She has designed the stadium seats Abacus for Nowy Styl Group.



The Abacus chairs are made of through-dyed polypropylene to guarantee uniformity of colour throughout the entire product. The lack of metal elements makes the Abacus chairs perfect products that can be successfully used in all weather conditions. Thanks to a gravitational mechanism, the seat can be automatically folded and the distance between rows is wide enough. The folded chair occupies a small place.

The Abacus line is resistant to different mechanical damages, as confirmed by durability tests. The chair is available in a few versions, thanks to which it is possible to arrange not only stadium tribunes, but also VIP sections and press seats.



ABACUS BRONZE

The seat and backrest are made of through-dyed polypropylene, thanks to which the colours are more intensive and do not fade in different weather conditions. This applies to the whole range of available colours and has been confirmed by tests. The chairs are durable and can be used for many years.



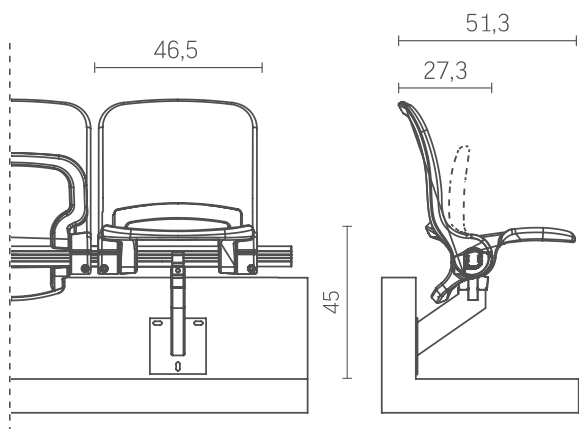
ABACUS SILVER

The Abacus Silver chair has all the advantages of the basic model. Additionally, to increase the users comfort, both the backrest and seat have been equipped with upholstered pads filled with foam.

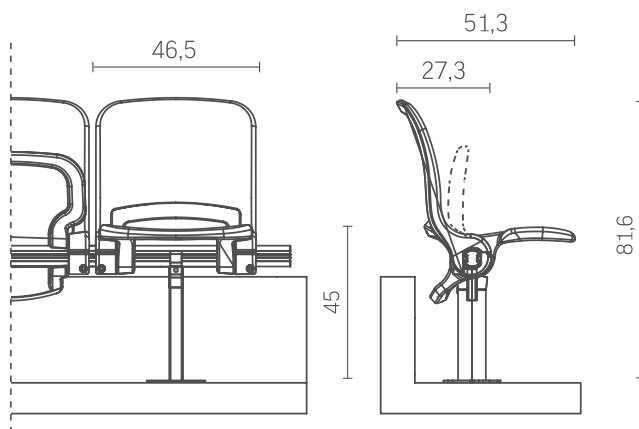


DIMENSIONS*:

Abacus Bronze / Silver Type B



Abacus Bronze / Silver Type C



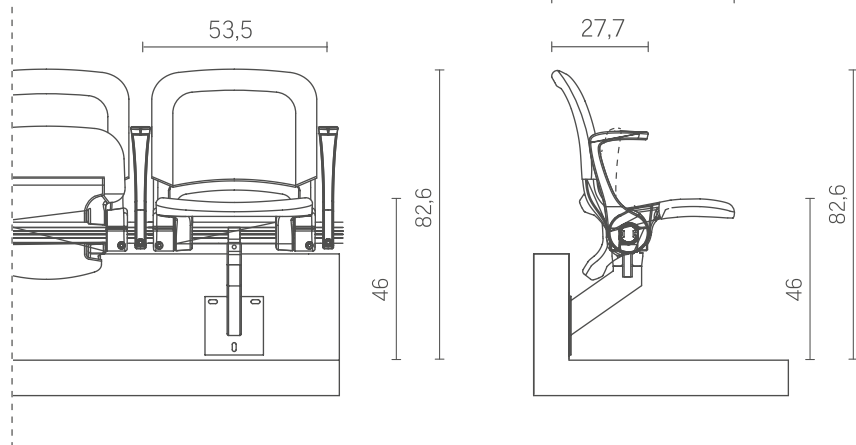
ABACUS GOLD

This model has been designed to meet the needs of the most demanding users. The seat and the backrest have special covers made of weather-resistant leatherette and filled with a thick foam layer. This solution increases the users comfort and has a positive influence on the aesthetics of the space.

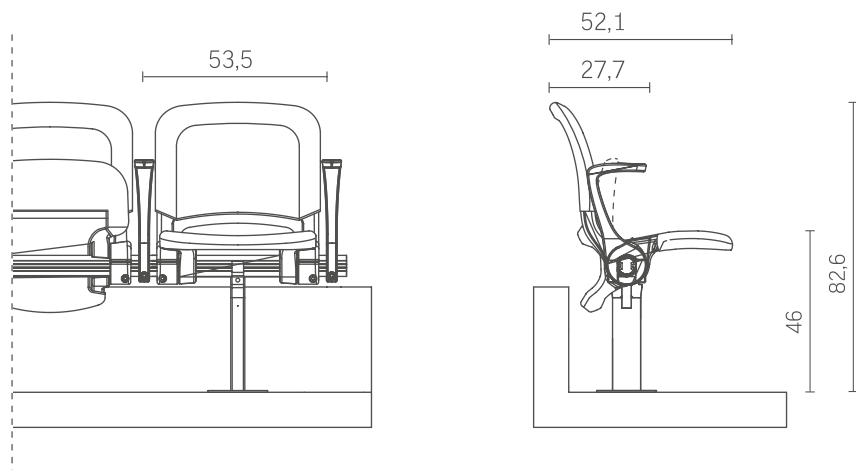
Abacus Gold is a highly durable and top quality chair. It can be equipped with a two-stage ventilation system, which channels air through the perforated upholstery. Thanks to this solution, it is possible to use the chair comfortably, even on hot days.

DIMENSIONS*:

Abacus Gold Type B



Abacus Gold Type C



CHARACTERISTIC FEATURES AND AVAILABLE OPTIONS:

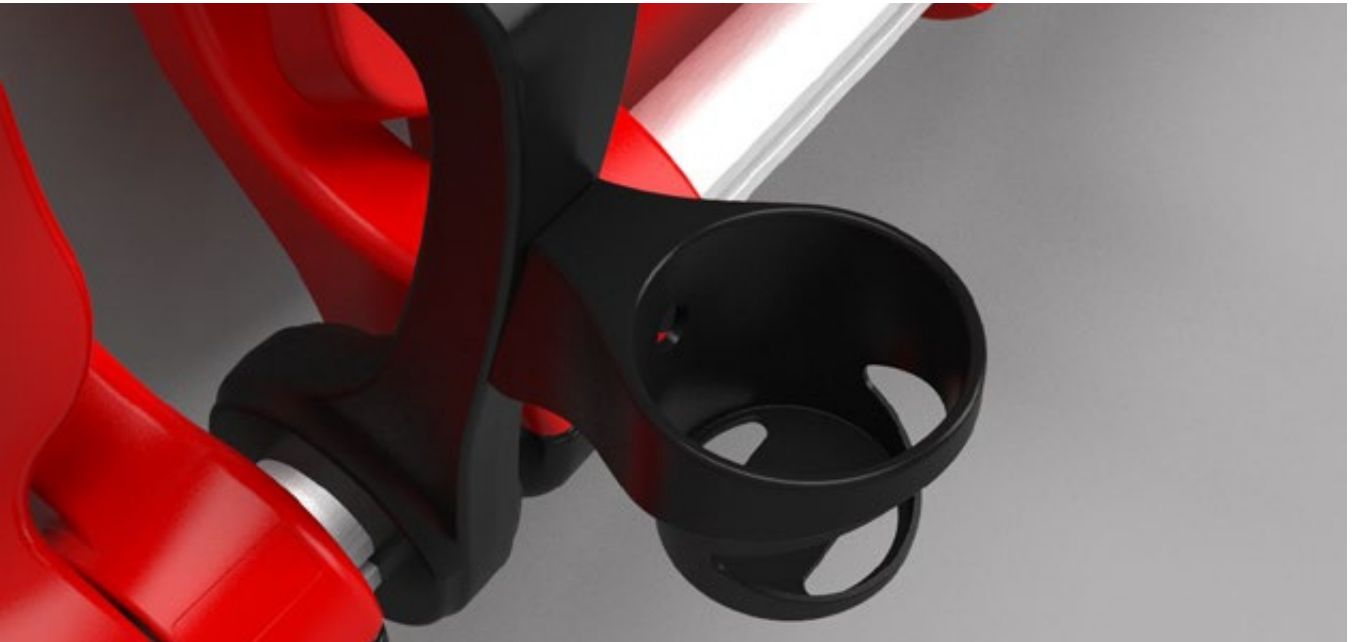
- The chairs are mounted on a beam fixed to a floor or a step riser. They can be assembled in a curve with a radius of 15 m.
- The products from this line can be equipped with a seat heating system.
- Armrests made of polyamide with fibreglass are additional options.
- The chairs can be equipped with a cup holder fixed to the armrest.
- Plates with seat numbers are weather-resistant and fixed permanently to the chair.
- There is a possibility of fixing desktops for press to the chairs. They are made of HPL – a material characterised by excellent durability parameters.
- We also offer additional stadium equipment: railings, desktops for press, VIP armchairs, and armchairs fixed to players benches.

* All dimensions are in centimetres.

BJERRING



BJERRING



CERTIFIED PRODUCTION:

We manufacture products at a global level. Our chairs are characterised by top quality and the highest durability. In all of our production plants we have implemented the best quality management system:

ISO 9001:2000. At the same time, we take care of the natural environment. We use the environmental management systems created according to the **ISO 14001** standard in the majority of our factories. This enables

us to minimise our impact on the natural environment and confirms that our products contain no heavy metals.

ASSEMBLY OPTIONS:

Floor type:



Flat



Stairs

Armchair arrangement:

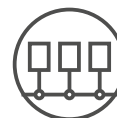


In a straight
line



In a curve

Assembly types:



TYPE C
to the floor



TYPE B
to the step
riser

BJERRING OLYMP



STANDARDFARVER



RAL 5010



RAL 6032



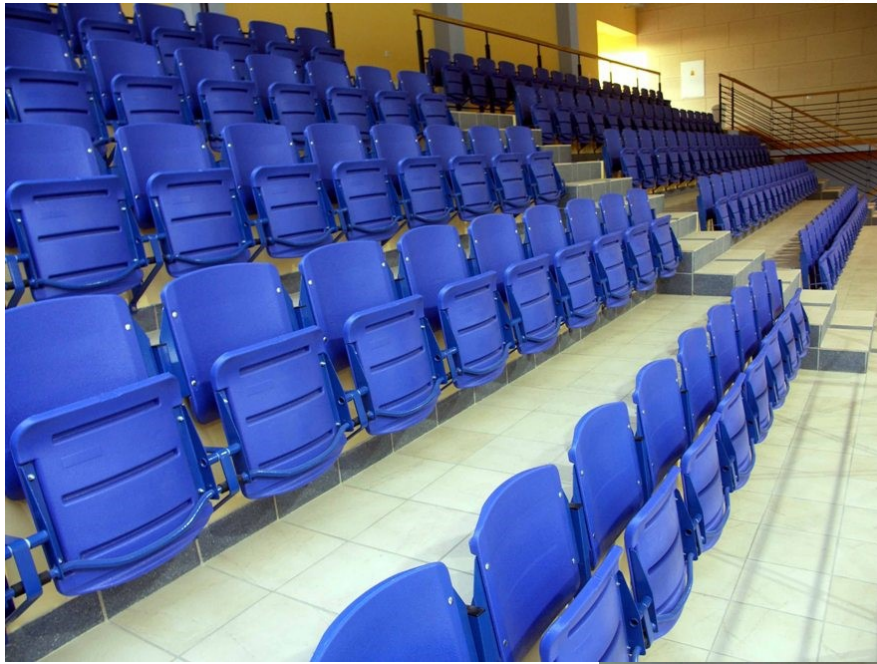
RAL 3020



RAL 1003

BJERRING

BJERRING ARENAS



BJERRING

BJERRING SIGMA

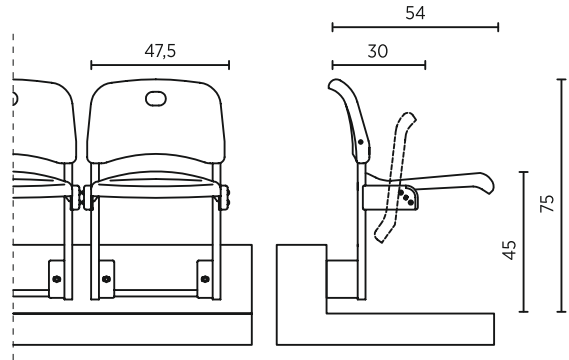


BJERRING

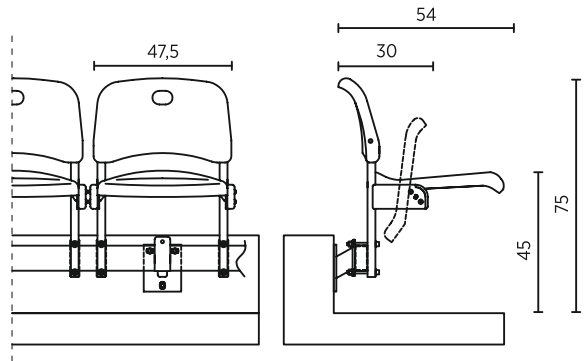
DIMENSIONS:



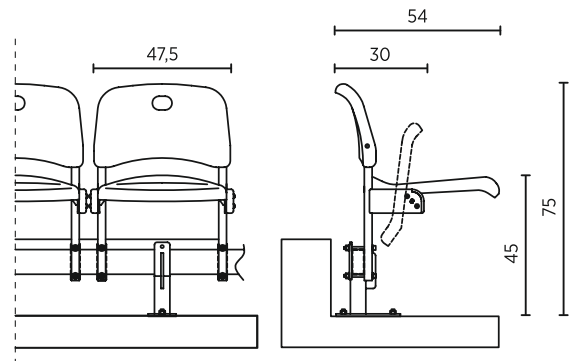
Sigma A



Sigma B



Sigma C

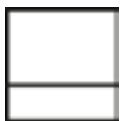


OPTIONS:

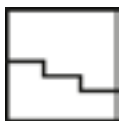
- Seat and row numbering
- Upholstered cushions for seat and backrest
- Armrest with upholstered pads

ASSEMBLY OPTIONS

Floor type:

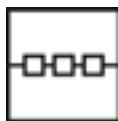


Flat



Tiered

Seating arrangement:

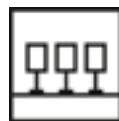


Straight

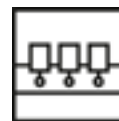


Curved

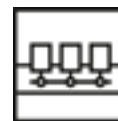
Fixing types:



To the floor



To the step riser



To the step riser on a beam

BJERRING

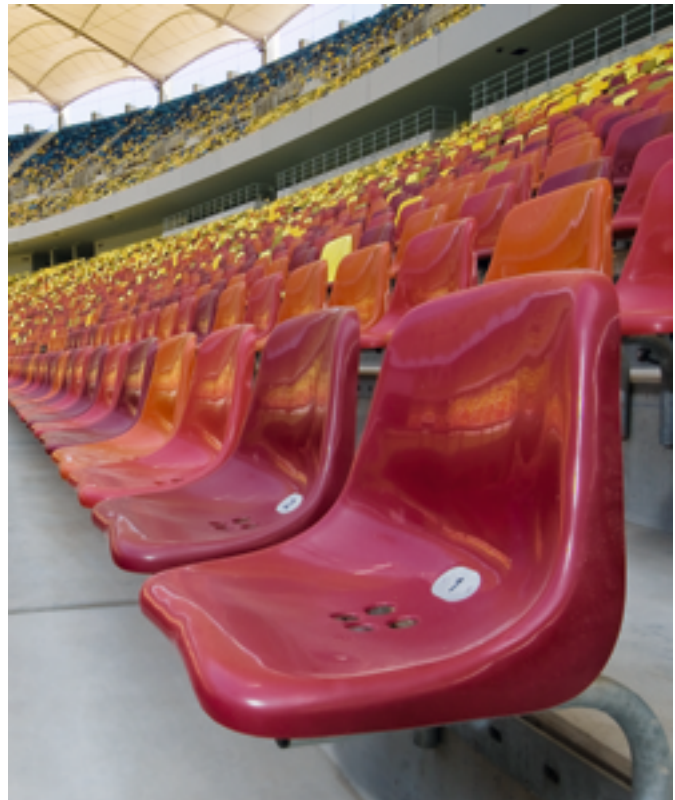


BJERRING

BJERRING OMEGA



BJERRING



The seat is made of polyamide or polypropylene materials that have excellent mechanical and physicochemical properties and its supporting structure is made of corrosion-proof steel. The durability is increased by its strengthened edges.

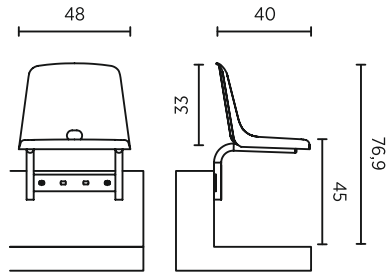
Omega performs well in both indoor and outdoor facilities. In the latter, the additional advantages of the chair are drainage holes, which let rain and damp flow down the surface, leaving the seat clean and dry. Omega is suitable for various types of assembly, so it can be adjusted to almost every sports arena. This shell-type stadium seat combines practical and aesthetic qualities with high durability parameters.

Moreover, Omega HB conforms to the guidelines and requirements of FIFA, UEFA and the Polish Football Association.

Omega Type A

High Back

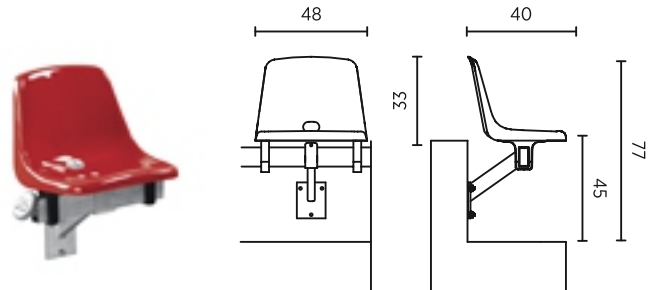
DIMENSIONS:



Omega Type B

High Back

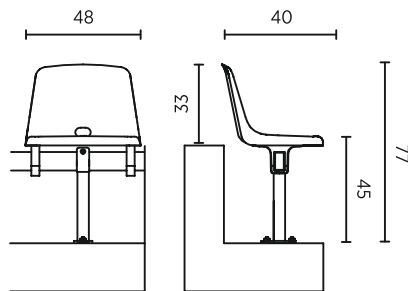
DIMENSIONS:



Omega Type C

High Back

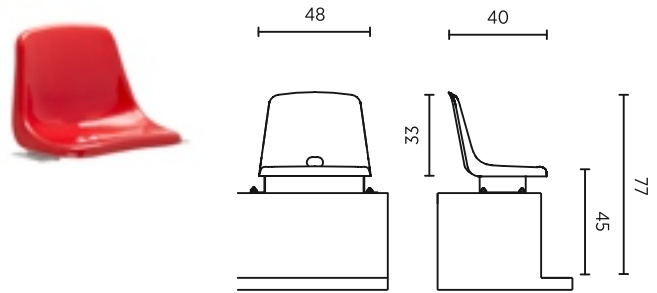
DIMENSIONS:



Omega Type D

High Back

DIMENSIONS:



ASSEMBLY OPTIONS:

Floor type:

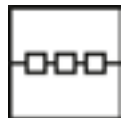


Flat

Inclined

Tiered

Seating arrangement:



Straight

Fixing types:



To the step riser

to the step riser on a beam

To the floor

To the step

FEATURES & OPTIONS:

- Seat and row numbering system
- Seat available in RAL palette colours
- Available with low or high backrest

BJERRING AVATAR Stadion Stol





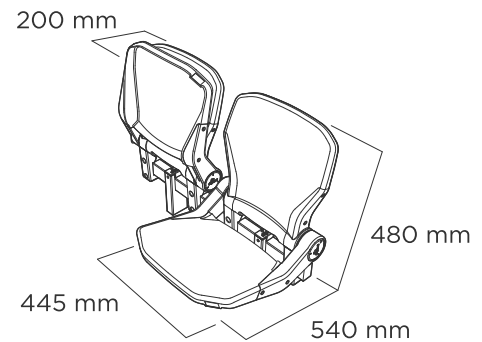
Avatar

Asiento abatible

Tip-up seat



Dimensiones Seat dimensions

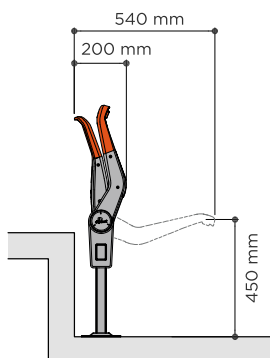


Asiento abatible con respaldo alto, para recintos deportivos de primer nivel o para zonas VIP. Sistema de fijación a soporte monorraíl que permite una distribución flexible en la grada y ajustar el aforo según las necesidades del recinto deportivo. El asiento Avatar optimiza el espacio entre filas, ocupa sólo 200 mm una vez cerrado.

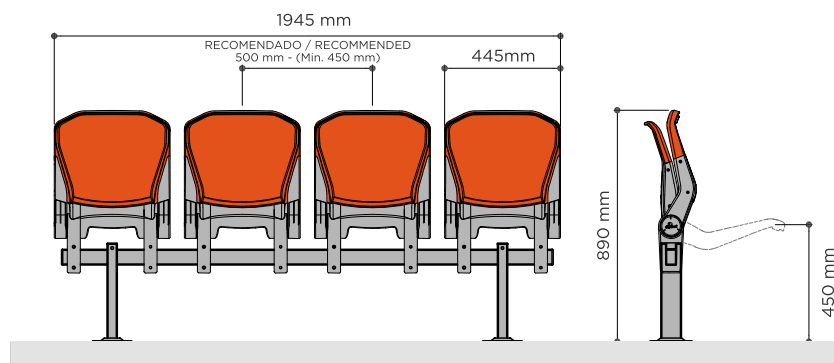
Tip up seat with high backrest, recommended for first class sports facilities or VIP areas. The mono rail fixing system allows obtaining a customized and flexible audience capacity, according to the event. The Avatar seat optimizes the space between rows - when it is folded it only occupies 200 mm of depth.



SOBRE PIE GRADA FLOOR MOUNTED



SOBRE BANCO METÁLICO ON METALLIC BENCH

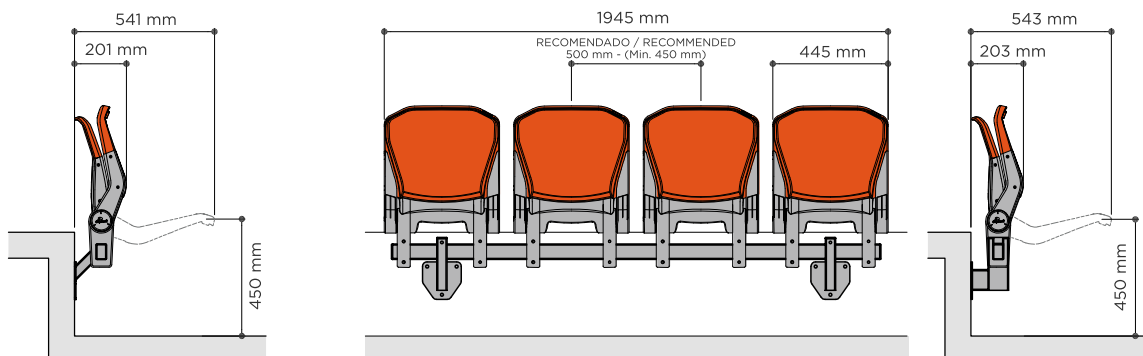




Complementos / Complements



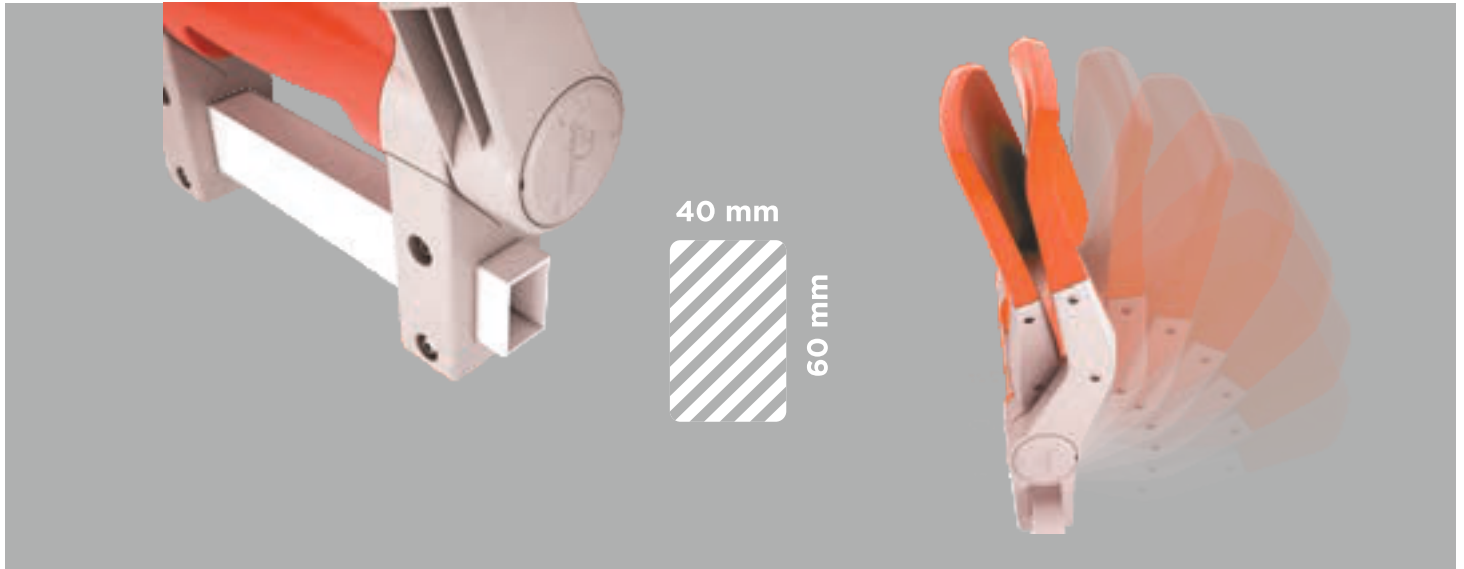
SOBRE FRENTE GRADA RISER MOUNTED



N avatar

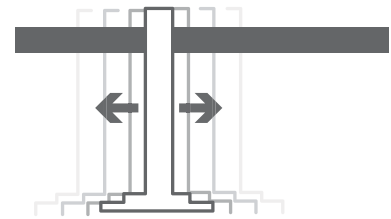
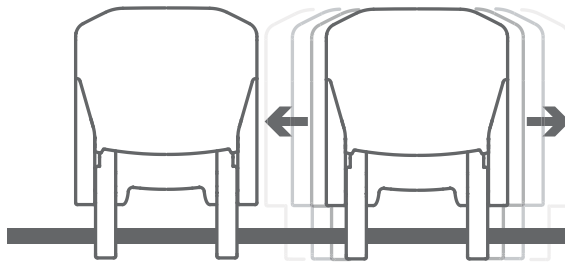
SOPORTE RAÍL ESTANDARIZADO
STANDARD METAL PROFILE

ABATIMIENTO SUAVE DEL ASIENTO
SMOOTH "TIP-UP" ACTION

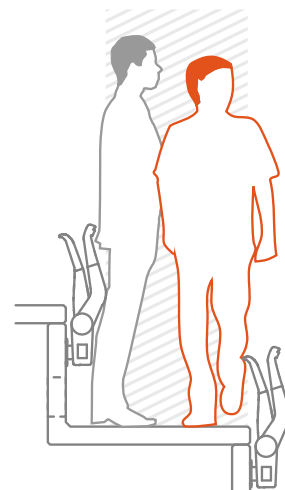


AJUSTE FLEXIBLE ENTRE ASIENTOS
FLEXIBLE FIT BETWEEN SEATS

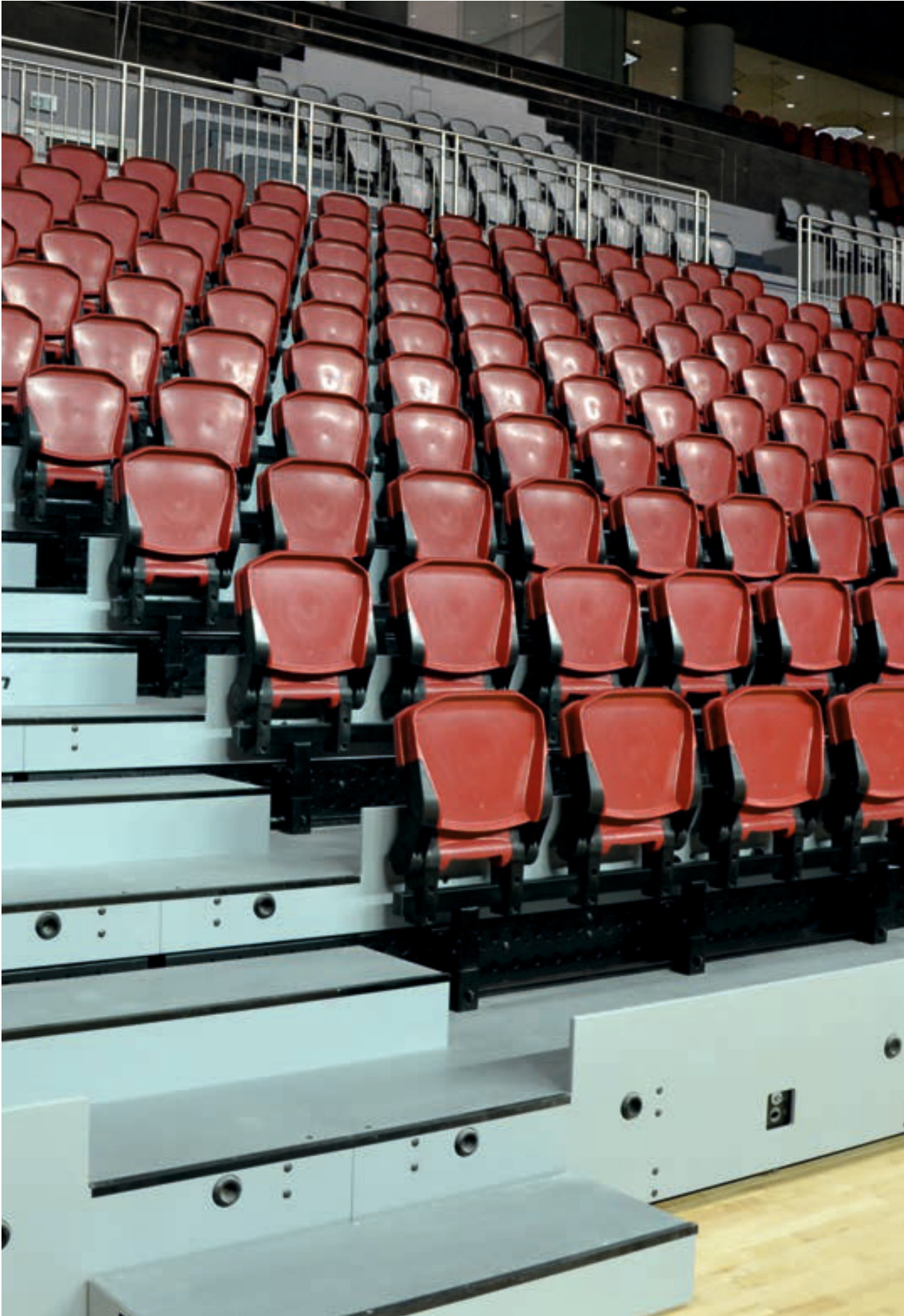
FUSTES DE FIJACIÓN REGULABLES
ADJUSTABLE BRACKETS



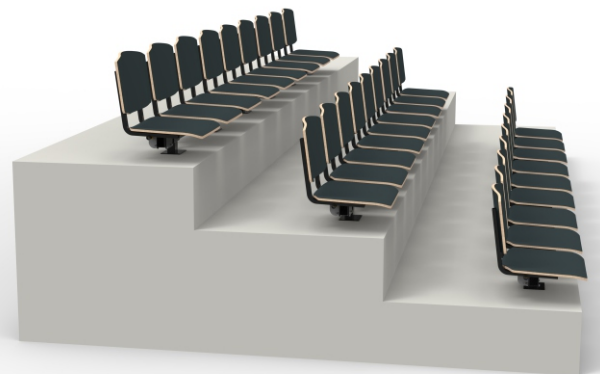
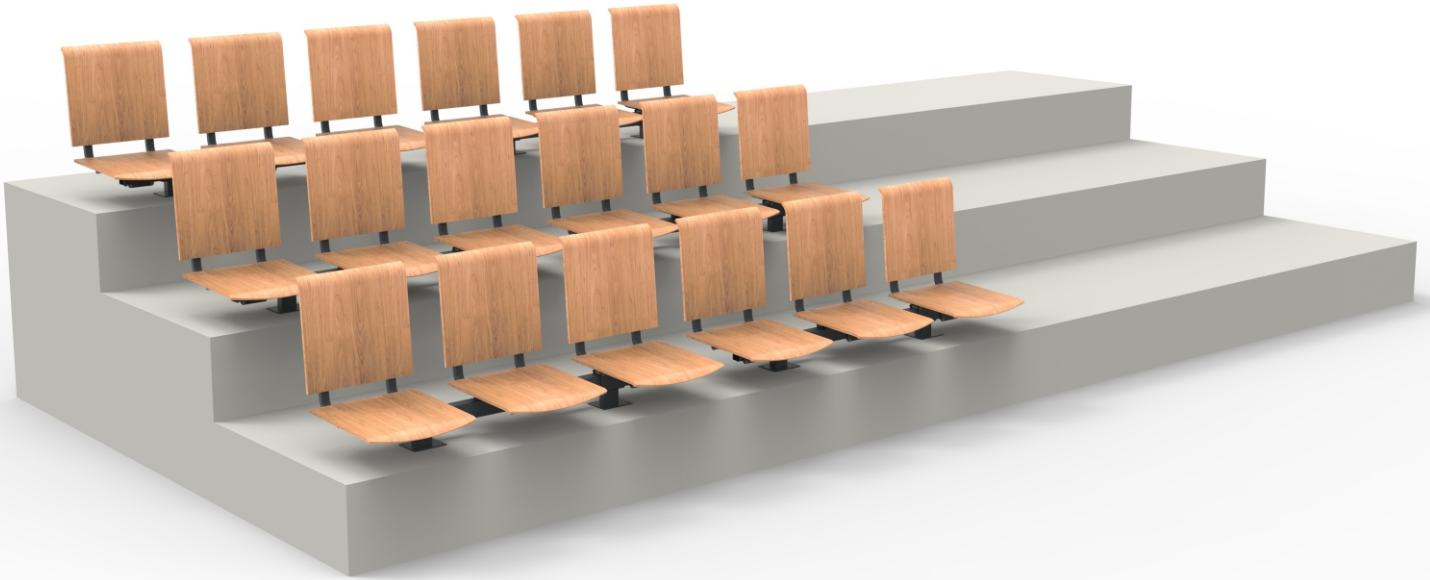
OPTIMIZA EL ESPACIO ENTRE FILAS
MAXIMIZE THE SPACE BETWEEN ROWS



BJERRING



BJERRING SÆDER ALH



BJERRING

BJERRING SÆDER

BJERRING 06



Øvrige Sæde Typer

BJERRING 03



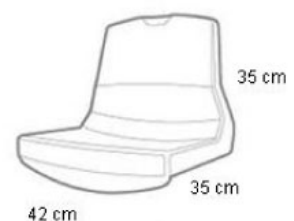
BJERRING 04



BJERRING 05



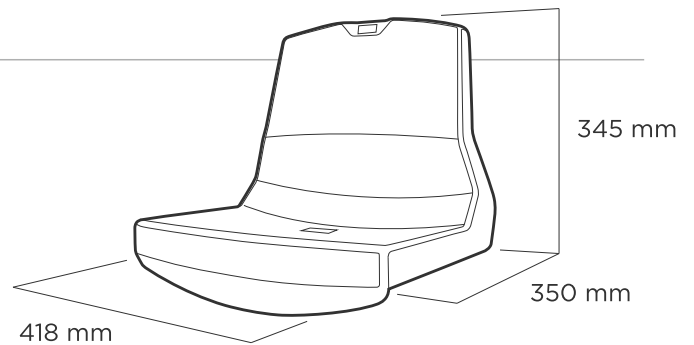
BJERRING CR-5



BJERRING SÆDER CR-5



Dimensiones Seat dimensions



Asiento con respaldo alto de 35 cm, siguiendo la recomendación de la UEFA / FIFA para instalaciones deportivas, diseñado especialmente para gradas con huella estrecha, (ocupa sobre la grada sólo 31 cm), que no renuncian a la confortabilidad de un asiento con respaldo (profundidad total: 35 cm).

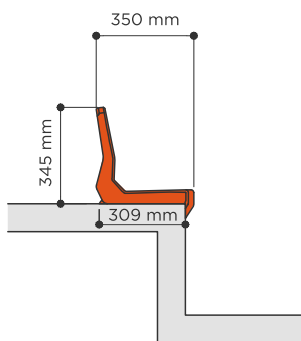
Monoblock seat with high backrest (35 cm), according with UEFA /FIFA recommendations. It is been specially designed for narrow tread venues (depth seat over concrete: 31 cm), that must fit in small spaces, with a backrest seat.

Admite soportes metálicos y de fibra de vidrio.

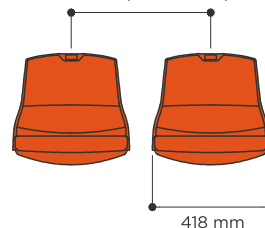
Compatible with metallic and pp+fibreglass brackets.



SOBRE GRADA DIRECTLY ON STEP



RECOMENDADO / RECOMMENDED
500 mm - (Min. 450 mm)



BJERRING

daplast

Amsterdam Olympic Stadium. NETHERLANDS

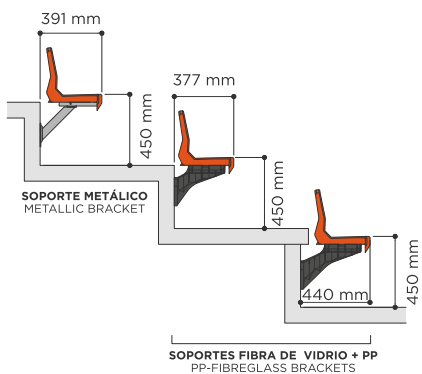


Complementos / Complements

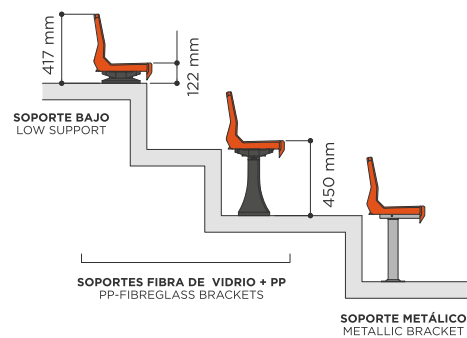
Puntos de anclaje / Anchoring points



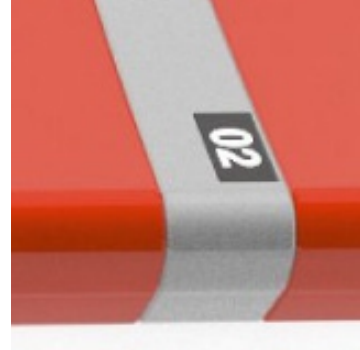
SOBRE FRENTE GRADA RISER MOUNTED



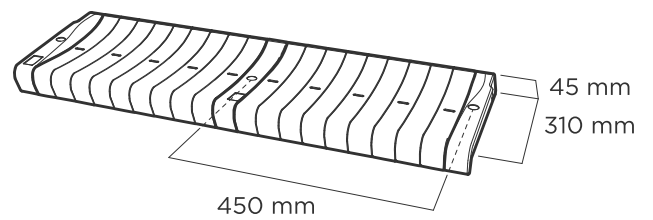
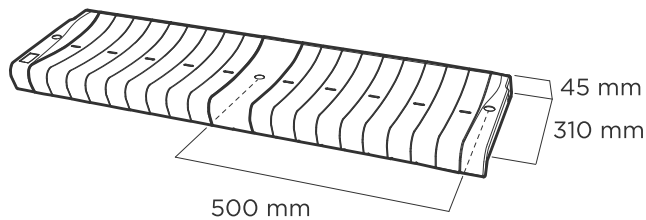
SOBRE PIE GRADA FLOOR MOUNTED



BJERRING BÆNKE G-3



Dimensiones Seat dimensions

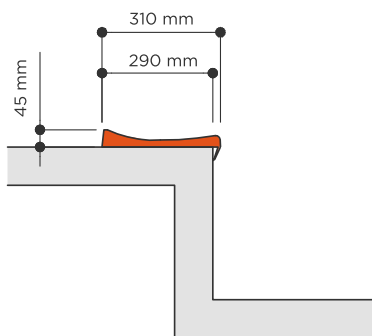


Asiento sin respaldo, de dos piezas: asiento y puentes de unión, para realizar bancos corridos en disposición lineal sin límite de longitud. Para gradas convencionales y tribunas metálicas (telescópicas o desmontables).

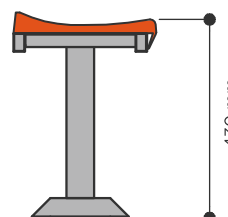
Bench style seat, without backrest, of two parts: seat and connection bridges, to form benches without length limit. For conventional and metallic grandstands (telescopic or dismantable).



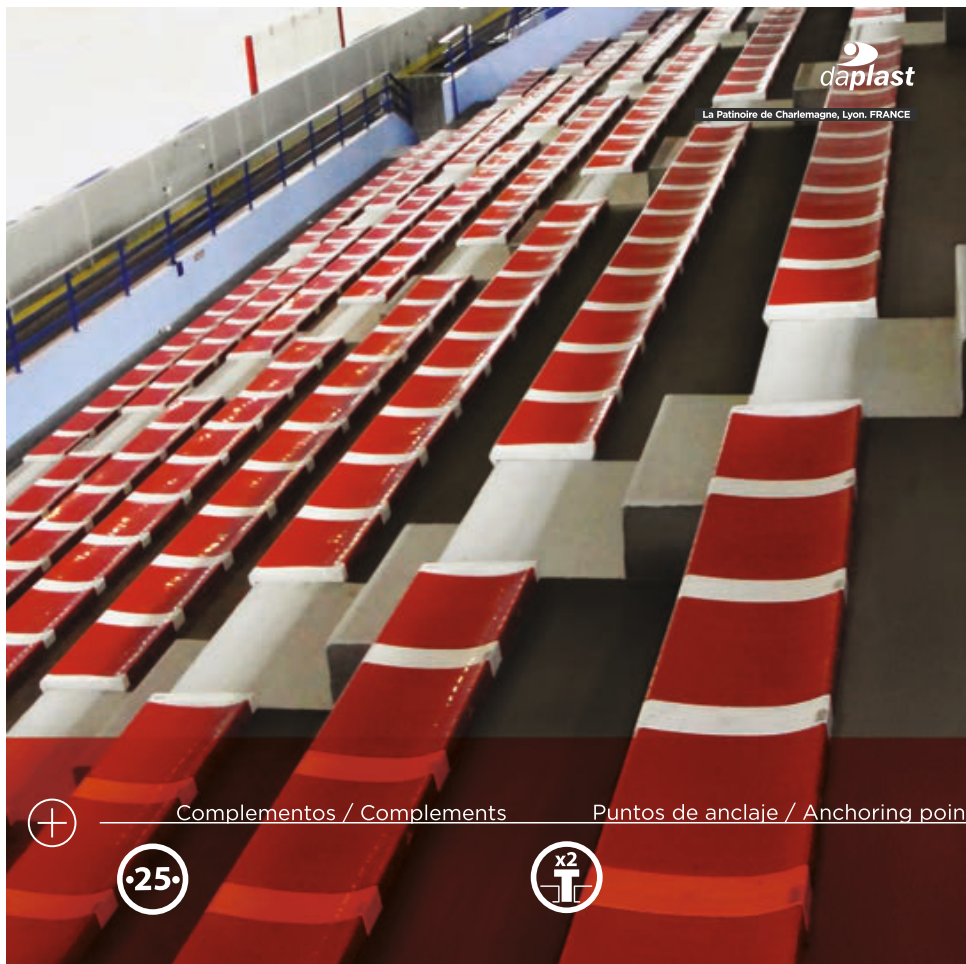
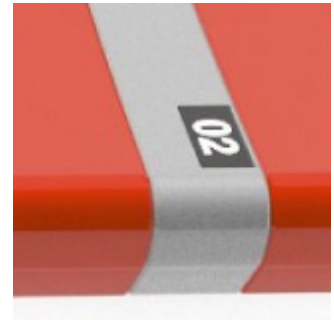
SOBRE GRADA DIRECTLY ON STEP



SOBRE BANCO FIJO ON FIXED BENCH



BJERRING

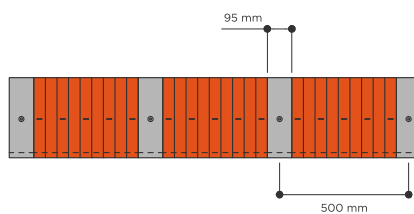


Complementos / Complements

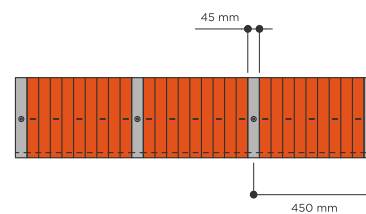
Puntos de anclaje / Anchoring point



PUENTE DOBLE
DOUBLE BRIDGE



PUENTE SIMPLE
SIMPLE BRIDGE



BJERRING

VIP - Stadionstole

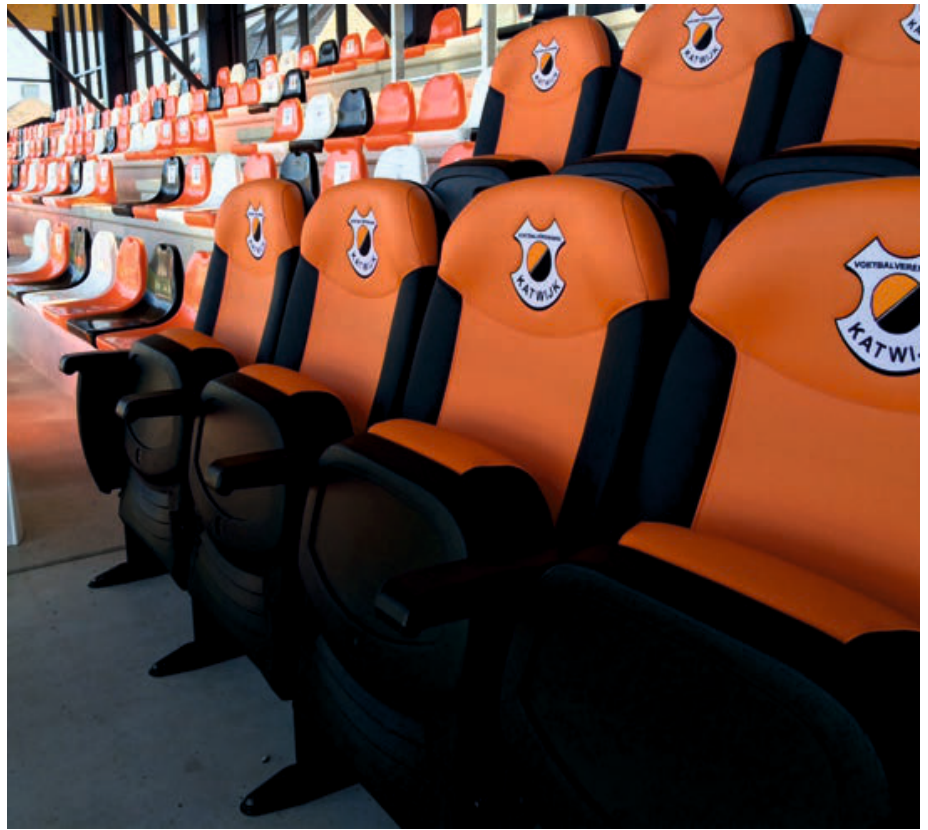
BJERRING ARENAS VIP



BJERRING

VIP - Stadionstole

BJERRING BACO VIP



BJERRING

Tykhøjvej 20 - Hal 5

7323 Give

Tlf: +45 42705206

E-mail: salg@bjerring-sales.dk

www.bjerring-sales.dk

Vi forhandler også:

Afspæringsystemer

Auditorier

SunSwim Scene Podie System

Teater, Biograf & Konference Stole

Væg & Gulvmonterede stole

Stadionstole & Skalsæder

Tribuner & Teleskoptribuner

Scene Tekstiler

Dansevinyler & Tilbehør

Projektionslærred & Skærme

Event Stole, Borde, mm.

Skriveborde & Kontorstole

Konference møbler

& meget mere

Kontakt os for priser og yderligere oplysninger & informationer

Klik ind på vores hjemmesider og se mere:

www.bjerring-sales.dk

www.elj.dk